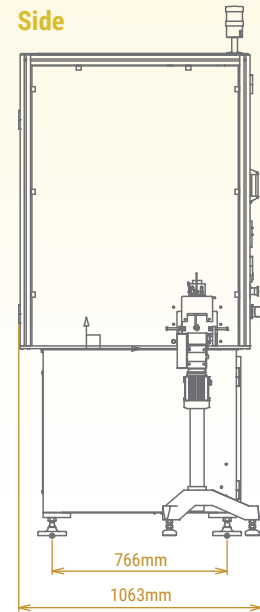
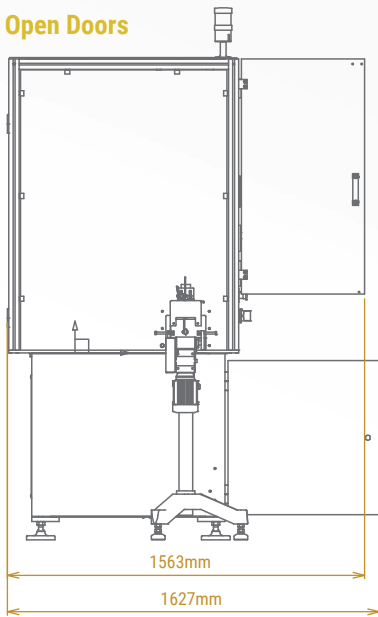


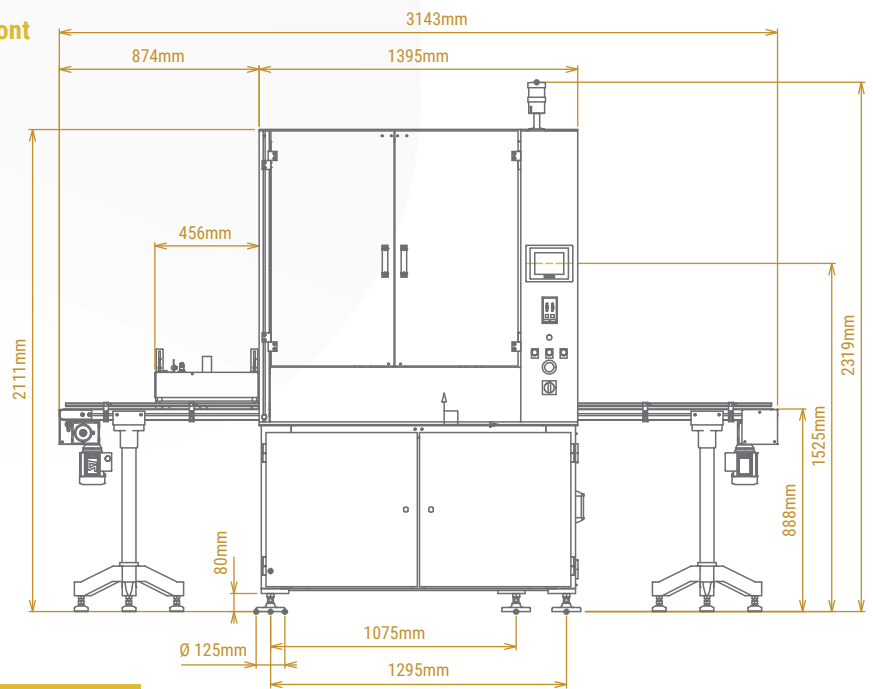
# CER DIAX 2M2N CON



**Open Doors**



**Front**



## Machine Characteristics & Dimensions

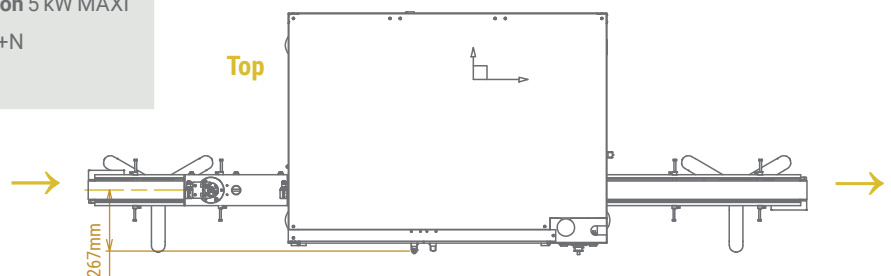
**Weight** 1000 kg

**Power Consumption** 5 kW MAXI

**Air Consumption** ~200 l/min

**Power** 400 V TRI+N

**Top**



## MACHINE SPECIFICATIONS

|                |  |   |                                      |
|----------------|--|---|--------------------------------------|
| Power          | 400V<br>(three phase + neutral)  | TT or TN Network<br>(if not, a transformer is required)                   | Air Pressure<br>(between 5 & 7 bars) |
|                | <b>Conical (Plastic)</b>   |   |                                      |
| Parts          | Minimum Length (10mm)  | Maximum Length (75mm)   |                                      |
|                | Ø Minimum (10mm, with flat die)  | Ø Maximum (90mm, with flat die)   |                                      |
|                | Minimum Radius (500mm)   | Maximum Radius (1000mm)   |                                      |
| General        | Minimum Distance Between<br>Decoration and Base of Part (0mm)  | Maximum Distance From<br>Top of Decoration to Base of Part (75mm)         |                                      |
|                | Maximum Height of Decoration (75mm)  | Vertical Travel (55mm)  |                                      |
| Configuration  | Conveyor Width<br>(80mm - see layout, 90mm nominal)  | Foil Reel Maximum Diameter<br>(Ø180mm, one reel only) (1500m, with S5400) |                                      |
|                | Maximum Foil Width (120mm)   | Ripped Foil Sensor  |                                      |
|                | End of Foil Reel Sensor  | Pneumatic Reel Tensioner  |                                      |
|                | Pneumatic Pick & Place (vacuum or mechanical)  |   |                                      |
| Printing Modes | Conical Rolling Print (with flat die) Maximum Length (190mm, complete rotation of Ø60mm part)<br>Cone Orientation (smaller diameter of part faces into machine with larger diameter facing outwards, towards front of machine) |   |                                      |
|                | Minimum Printing Speed (2m/minute)   | Maximum Printing Speed (30m/minute)                                       |                                      |

## DIAX 2M2N CON



**CER**

A Member of the Industrial Decorating Solutions (IDS) Group

### CONTACT

E-mail [info-cer@itwids.com](mailto:info-cer@itwids.com)

Tel +33 (0)4 74 73 26 00

[www.itwcer.com](http://www.itwcer.com)