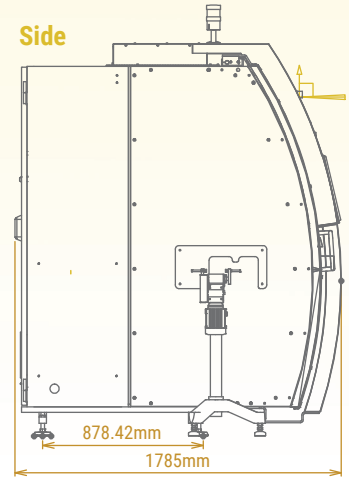


# CER QUADRAX 2M2N



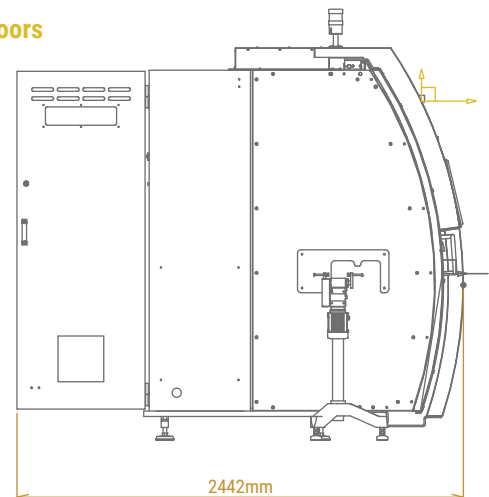
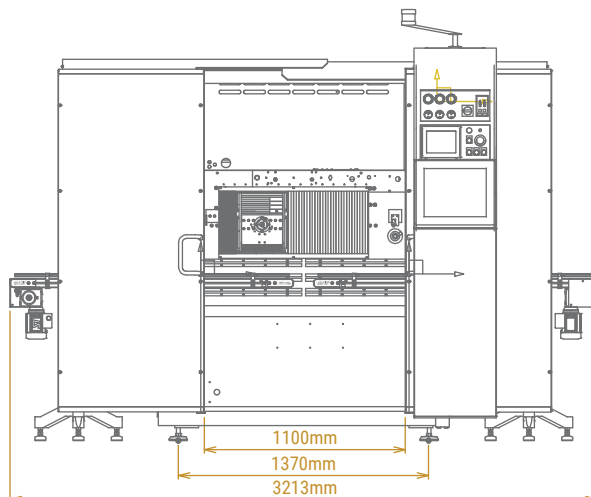
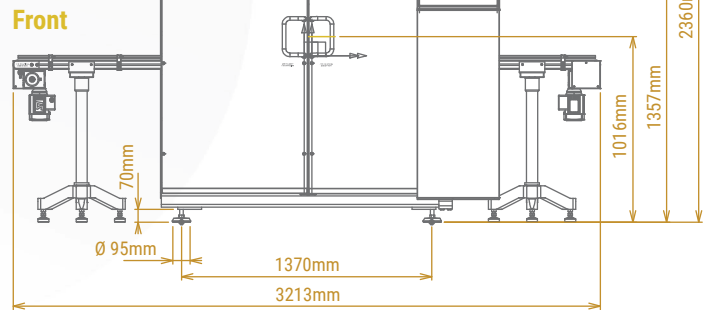
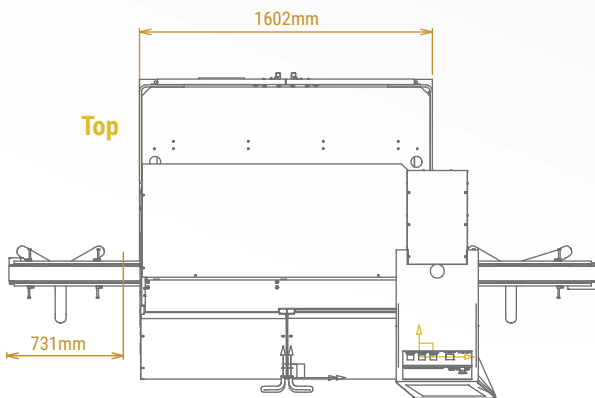
## Machine Characteristics & Dimensions

**Weight** 2100 kg

**Power Consumption** 6 kW MAXI

**Air Consumption** ~250 l/min

**Power** 400 V TRI+N



## MACHINE SPECIFICATIONS

Power	400V (three phase + neutral)	TT or TN Network (if not, a transformer is required)	Air Pressure (between 5 & 7 bars)
	Circle Inscribed Shape (Plastic)		
Parts	Minimum Length (10mm)	Ø Minimum (10mm, with flat die)	Ø Minimum (20mm, with silicone roller)
	Biggest Part Diameter (85mm)		
	Maximum Part Height (75mm)		
General	Minimum Distance Between Decoration and Base of Part (0mm)	Maximum Distance From Top of Decoration to Base of Part (75mm)	
	Max Height of Decoration (70mm)	Minimum Junction Radius on Part (2mm)	
	Silicone Roller Head Inclination (+/-4°)		
Configuration	Silicone Roller (Ø100mm)	Conveyor Width (80mm - see layout, 90mm nominal)	
	Foil Reel Maximum Diameter (Ø180mm) (1500m, with S5400)	Maximum Foil Width (120mm)	
	Ripped Foil Sensor (one reel only)	End of Foil Reel Sensor	
	Electro-pneumatic Reel Tensioner	Pneumatic Pick & Place (vacuum or mechanical)	
	Electronic Positioned Laser System		
Printing Modes	Rolling Print (with flat die)	Rolling Print (with silicone roller)	
	Minimum Printing Speed (2m/minute)	Maximum Printing Speed (30m/minute)	
CVI	Maximum Developed Length (175mm, with a B2 head) (150mm, with diffuser)	Maximum Control Height (70mm)	

## QUADRAX 2M2N



**CER**

A Member of the Industrial Decorating Solutions (IDS) Group

### CONTACT

E-mail [info-cer@itwids.com](mailto:info-cer@itwids.com)

Tel +33 (0)4 74 73 26 00

[www.itwcer.com](http://www.itwcer.com)