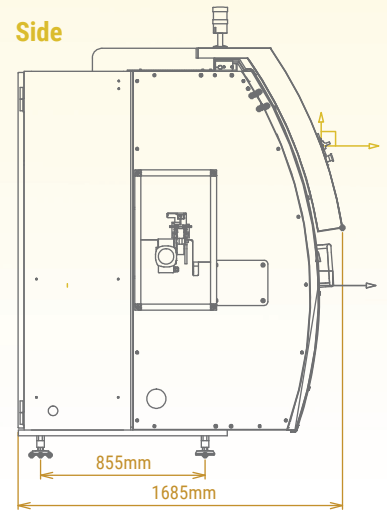


Side



## Machine Characteristics & Dimensions

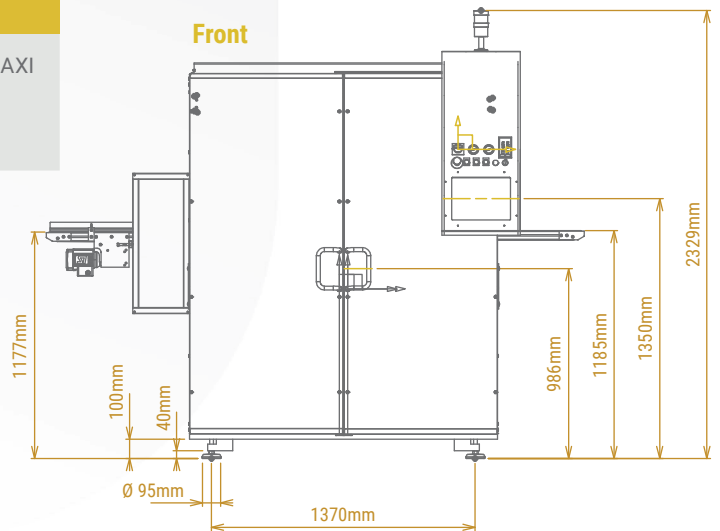
Weight 2000 kg

Power Consumption 6 kW MAXI

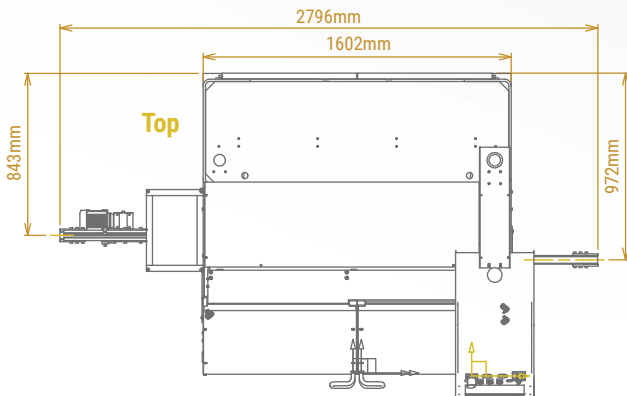
Air Consumption ~800 l/min

Power 400 V TRI+N

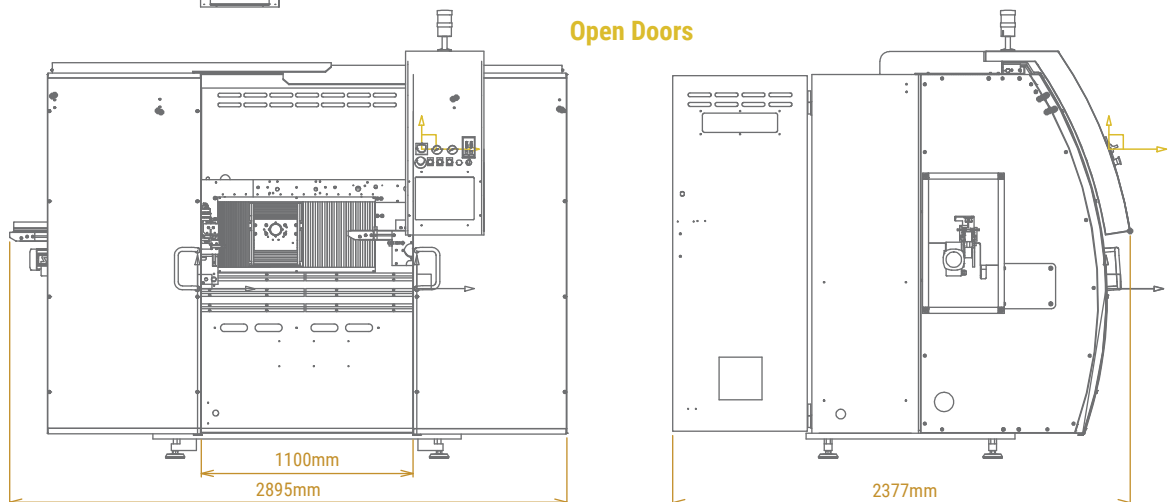
Front



Top



Open Doors



## MACHINE SPECIFICATIONS

Power	400V (three phase + neutral)	TT or TN Network (if not, a transformer is required)	Air Pressure (between 5 & 7 bars)
	Circle Inscribed Shape (Plastic)		
Parts	Minimum Length 40mm	Ø Minimum (7mm, with flat die)	Ø Minimum (10mm, with silicone roller)
	Minimum Part Diameter (25mm)		Minimum Part Height (110mm)
	Minimum Junction Radius on Part (2mm)		
General	Minimum Distance Between Decoration and Base of Part (8mm, with centering collet, 0mm if using a mandrel of smaller or equal Ø, with a registration pin/feature)	Maximum Distance From Top of Decoration to Base of Part (110mm, if the part holder can be inscribed in the smallest diameter of the decoration area)	
	Maximum Height of Decoration (100mm)	Silicone Roller Head Inclination (+/-4°)	
Configuration	Silicone Roller (Ø100mm)	Conveyor (width 45mm - see layout)	
	Foil Reels Maximum Diameter (Ø180mm) (1500m, with S5400)	Maximum Foil Width (120mm)	
	Ripped Foil Sensor (one reel only)	End of Foil Reel Sensor	
	End of Foil Reel Sensor	Servo Driven Angular Registration	
Printing Modes	Rolling Print (with flat die, maximum length 145mm, 1 complete rotation)	Rolling Print (with silicone roller)	
	Rolling Print (with silicone roller)	Maximum Printing Speed (30m/minute)	

## QUADRAX F



**CER**

A Member of the Industrial Decorating Solutions (IDS) Group

### CONTACT

E-mail [info-cer@itwids.com](mailto:info-cer@itwids.com)

Tel +33 (0)4 74 73 26 00

[www.itwcer.com](http://www.itwcer.com)