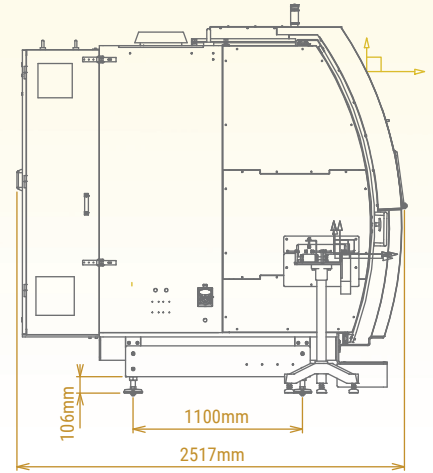
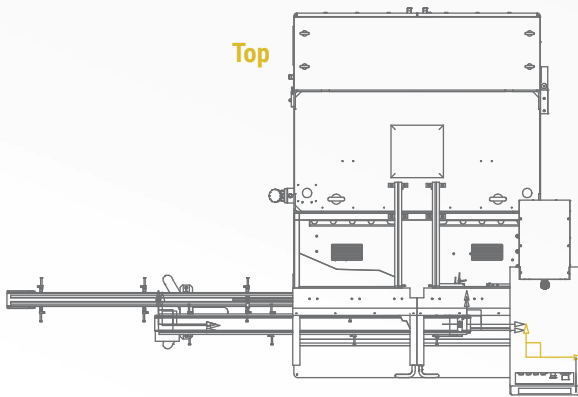




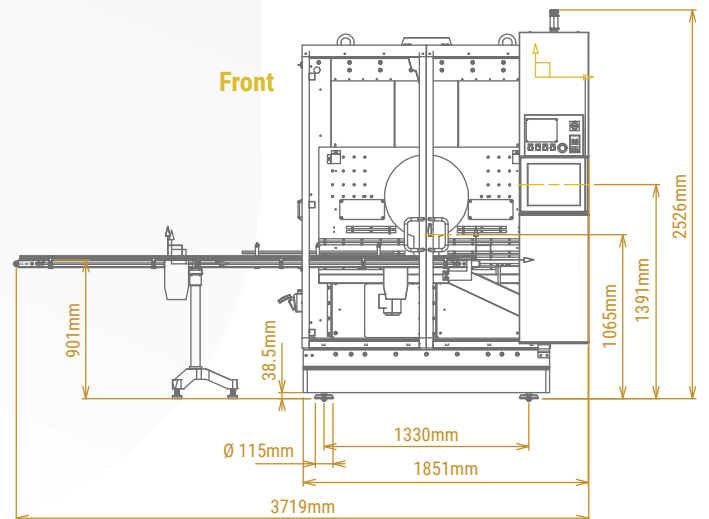
Side



Top



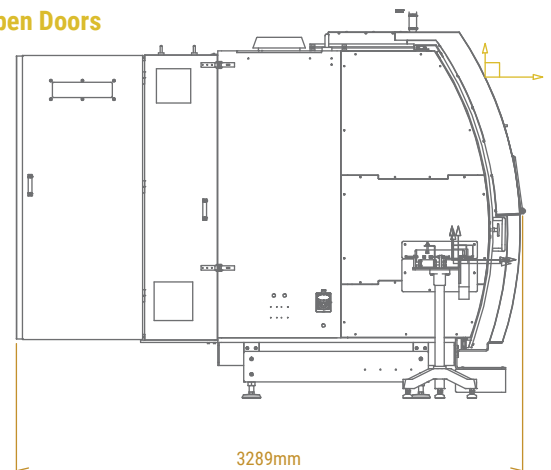
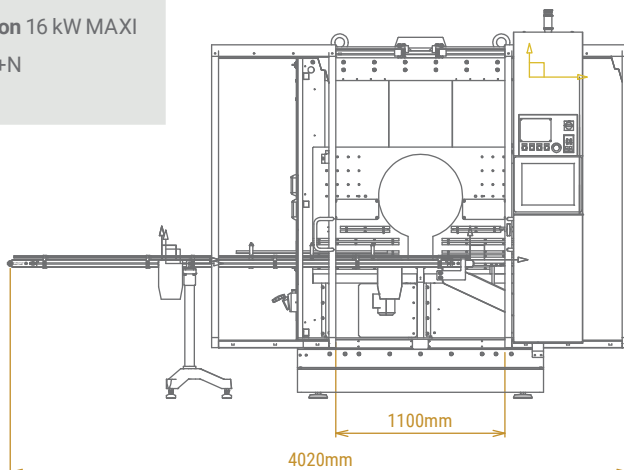
Front



Machine Characteristics & Dimensions

- Weight 3500 kg
- Air Consumption ~350 l/min
- Power Consumption 16 kW MAXI
- Power 400 V TRI+N

Open Doors



MACHINE SPECIFICATIONS

Power	400V (three phase + neutral)	TT or TN Network (if not, a transformer is required)	Air Pressure (between 5 & 7 bars)	
	Cylindrical (Plastic)		Conical (Plastic)	
Parts	Minimum Length (10mm)	Maximum Length (75mm)	Minimum Printing Radius (60mm)	
	Ø Minimum (10mm, with flat die)	Ø Maximum (90mm, with flat die)		
	Ø Minimum (10mm, with silicone roller)	Ø Maximum (90mm, with silicone roller)	Maximum Cone Half Angle (5°)	
General	Minimum Distance Between Decoration and Base of Part (0mm)	Maximum Distance from Top of Decoration to Base of Part (75mm)		
	Max Height of Decoration (70mm)			
	Silicone Roller Head Inclination (+/-4°)	Conical Hot Stamping Head Inclination (+/-5°)		
	Silicone Roller (Ø100mm)		Conveyor Width (80mm - see layout, 90mm nominal)	
Configuration	Foil Reel Maximum Diameter (Ø180mm) (1500m, with S5400)	Maximum Foil Width (120mm, same for top printing head)		
	Ripped Foil Sensor (one reel only)	End of Foil Reel Sensor		
	Spring Brake for Top Printing Head	Pneumatic Pick & Place (vacuum or mechanical)		
	On-the-Go Modifications of Some Parameters			
	Top Printing (maximum printing effort 300kg) (maximum printing area 60 x 60mm)		Rolling Print (with flat die) (single rotation on flat die, maximum length 190mm) (complete rotation of Ø60mm part)	
Printing Modes	Double Rolling Print (with flat die)		Direct Hot Stamping Mode (maximum 4 hot stamps)	
	Rolling Print (with silicone roller)		Single or Double Conical Rolling Print	
	Maximum Printing Speed (30m/minute)		Minimum Printing Speed (2m/minute)	
	CVI-L (for the side) (75mm, maximum control length)		CVI-M (for the top) (60 x 60mm, not all curved faces can be reliably inspected)	Black & White Camera if CVI-L(side) + CVI-M(top) then CVI-M 30 x 30mm and CVI-L 50mm
Camera				

ULTIMAX 2M2N



CER

A Member of the Industrial Decorating Solutions (IDS) Group

CONTACT

E-mail info-cer@itwids.com

Tel +33 (0)4 74 73 26 00

www.itwcer.com