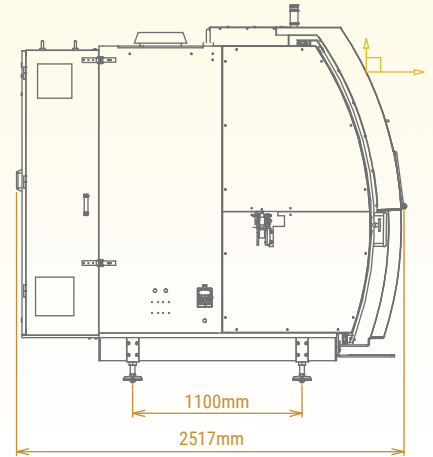
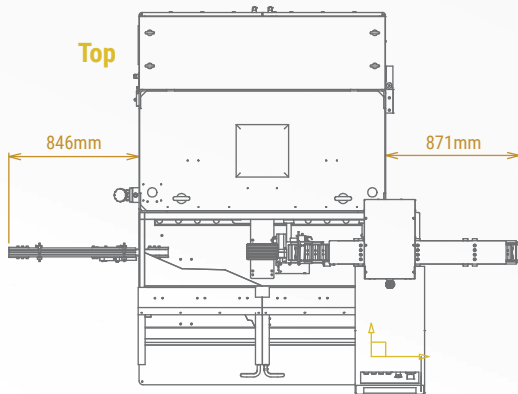


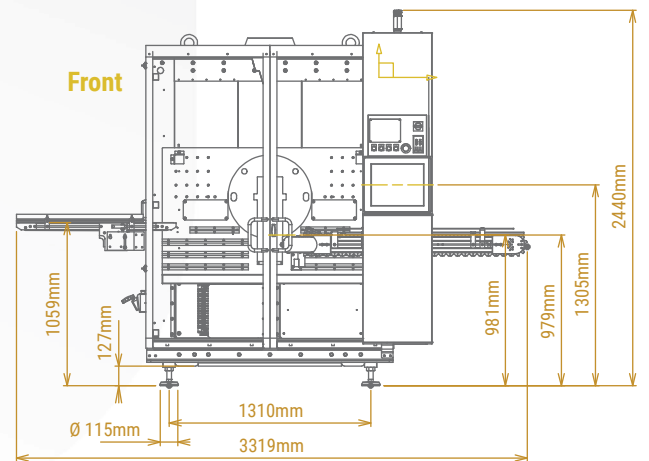
Side



Top



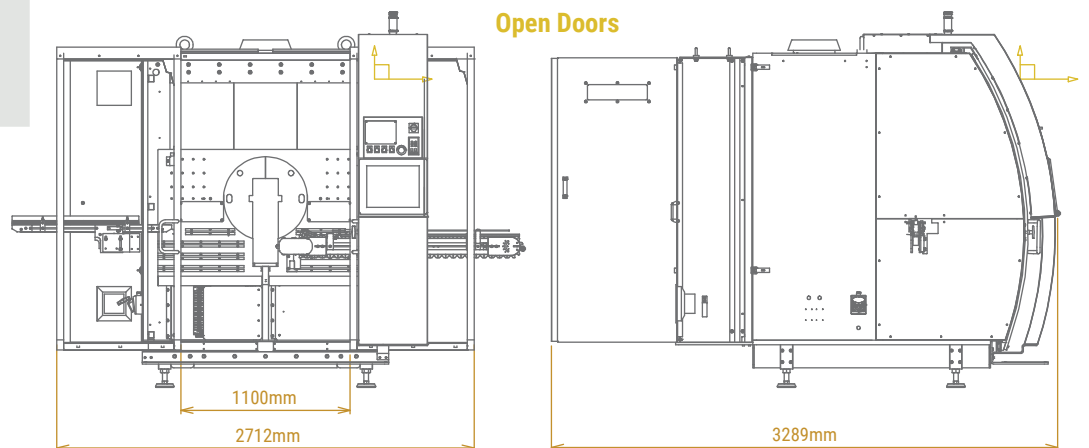
Front



Machine Characteristics & Dimensions

- Weight 3400 kg
- Air Consumption ~1000 l/min
- Power Consumption 14 kW MAXI
- Power 400 V TRI+N

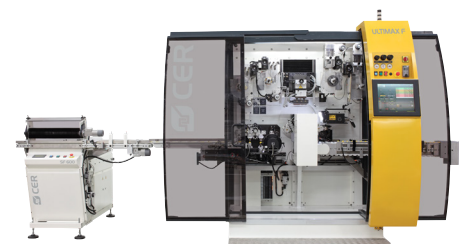
Open Doors



MACHINE SPECIFICATIONS

Power	400V (three phase + neutral)	TT or TN Network (if not, a transformer is required)	Air Pressure (between 5 & 7 bars)
	Conical (Plastic)		
Parts	Minimum Length (40mm)	Maximum Length (110mm)	
	∅ Minimum (7mm, with flat die)	∅ Maximum (25mm, with flat die)	
	Minimum Conical Radius (60mm)	Half-angle of Cone (5°)	
General	Minimum Distance Between Decoration and Base of Part (8mm, with centering collet) (0mm, if using a mandrel of smaller or equal ∅, with a registration pin/feature)		
	Maximum Distance from Top of Decoration to Base of Part (110mm, if the part holder can be inscribed in the smallest diameter of the decoration area)		
	Maximum Height of Decoration (100mm)	Machine Angle Max (+/-16°, in conical mode)	Vertical Travel (110mm)
	On-the-Go Modifications (of some parameters)		
Configuration	Conveyor Width (45mm - see layout)	Double Foil Reels Maximum Diameter (∅180mm) (1500m, with S5400)	
	Maximum Foil Width (115mm)	Ripped Foil Sensor	
	End of Foil Reel Sensor	Pneumatic Reel Tensioner	
Printing Modes	Conical Rolling Print with flat die (145mm printing length with a single rotation or double rotation with die reset between print cycles) (conical - cylindrical rolling possible)	Cylindrical Rolling Print with flat die (145mm printing length with a single rotation or double rotation with die reset between print cycles) (cylindrical - conical rolling possible)	
	Vertical Stamping Mode (only one vertical stamp available, embedded part holder support)	Cylindrical Rolling Print (with silicone roller)	
	Conical Rolling		
	Minimum Printing Speed (2m/minute)	Maximum Printing Speed (30m/minute)	
	Camera	Wide Inspection Zone (110mm)	Black & White CVI-L

ULTIMAX F



A Member of the Industrial Decorating Solutions (IDS) Group

CONTACT

E-mail info-cer@itwids.com

Tel +33 (0)4 74 73 26 00

www.itwcer.com