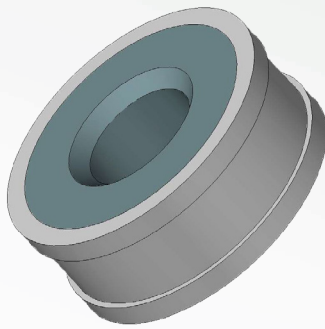


SILICONE ROLLERS

SUPERIOR ACCURACY & EFFICIENCY



Clear Market Leader

CER silicone rollers combine

- **market-leading** repeatability,
- **market-leading** efficiency,
- **market-leading** bond strength and
- **market-leading** thermal conductivity in a
- **market-leading** range of sizes.

Market-Leading Efficiency

Re-Coatable Option



- Machined metal roller cores can be recoated in new silicone
- Generates **nearly 50% and 250% cost savings** for smaller and larger rollers respectively
- Reduces waste

Double-Banded Option



- When the silicone on one side of the roller becomes worn and requires replacement- the roller can simply be reinstalled on the other side
- **Double the life expectancy of rollers**

Market-Leading Repeatability

Precision Profiling

- Roller profile measured with precision
- Precise fit to part shape
- Enhances repeatability



Precision Finish

- We surface grind each roller to ensure
- Precise OD and TIR measurements
 - Smooth surface finish



Market-Leading Durability



Proprietary Silicone-to-Metal Bond

- silicone does not delaminate
- no messy adhesives



Market-Leading Thermal Conductivity

- rollers do not become "sticky" or "gummy" when exposed to high heat

Silicone Roller Uses

Rollers for:	On:	To Provide:
<ul style="list-style-type: none"> • Hot stamp • Heat transfer • Heat seal <p><i>Compatible with CER or competitor equipment</i></p>	<ul style="list-style-type: none"> • Extruded products • Cylindrical shapes • Large, flat surfaces • Curved surfaces • Raised surfaces 	<ul style="list-style-type: none"> • Banding • Tipping • Hot stamping • Heat transfer

Properties of Silicone Rubber Formulations

Formulation	Duro* (Shore A)	Tensile Strength (PSI)	Elongation (%)	Compression Set (%)	Heat Resistance	Specific Gravity
Ultrasil (Red) – often manually loaded applications)	90	1110	125	30	290°C	1.75
	80	1100	185	24	290°C	1.72
	60	1050	365	18	290°C	1.45
Thermosil (Brown) - often semi and fully-automated applications)	90	1075	120	14	290°C	2.1
	80	1050	175	12	290°C	2.09
	60	980	423	6	290°C	1.63
FDA 3A (Red) – Class I		1354	423	6	260°C	1.17

*Additional durometers also available on request

Custom Rollers

Cores are custom designed to precisely match application requirements.



CER

A Member of the Industrial Decorating Solutions (IDS) Group

CONTACT

E-mail info-cer@itwids.com

Tel +33 (0)4 74 73 26 00

www.itwcer.com